

**Maximum height**  
*Altura máxima* 7.2 m / 23.6ft

**Maximum load Dynamic**  
*Carga máxima Dinámica* 500 kg / 1102 lbs

**Maximum load Structural**  
*Carga máxima Estructural* 1000 kg / 2204 lbs

**Folded height**  
*Altura plegada* 2 m / 6.56 ft

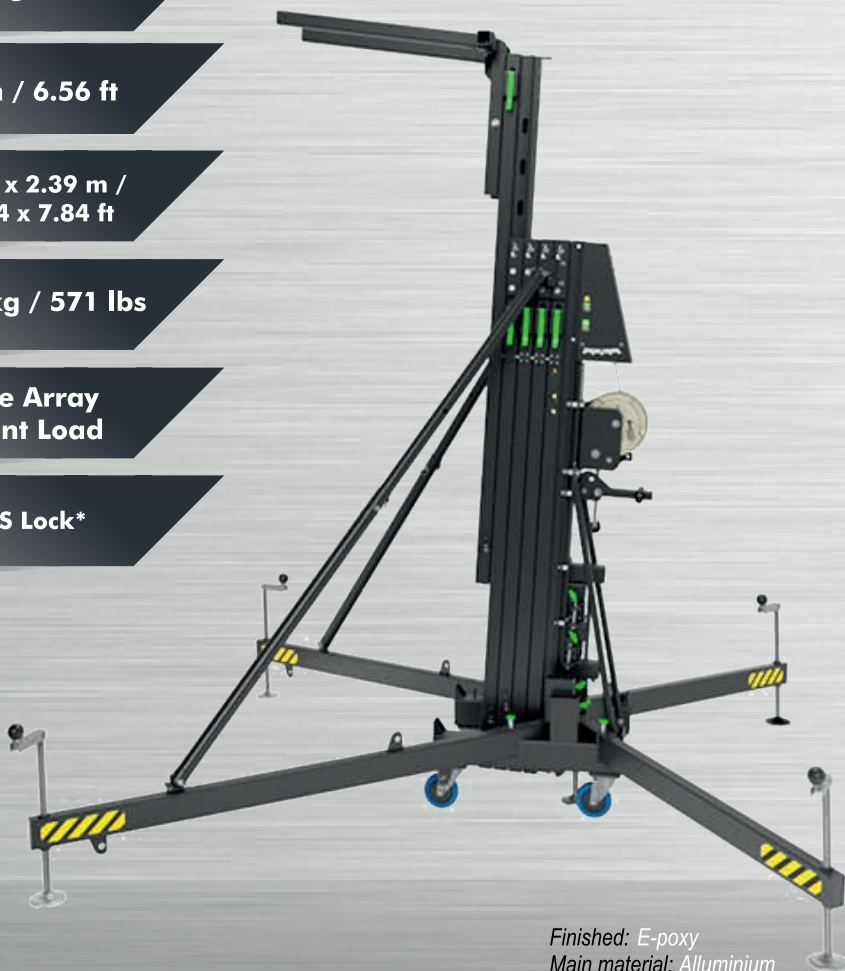
**Work surface**  
*Superficie trabajo* 2.39 x 2.39 m / 7.84 x 7.84 ft

**Weight**  
*Peso* 259 kg / 571 lbs

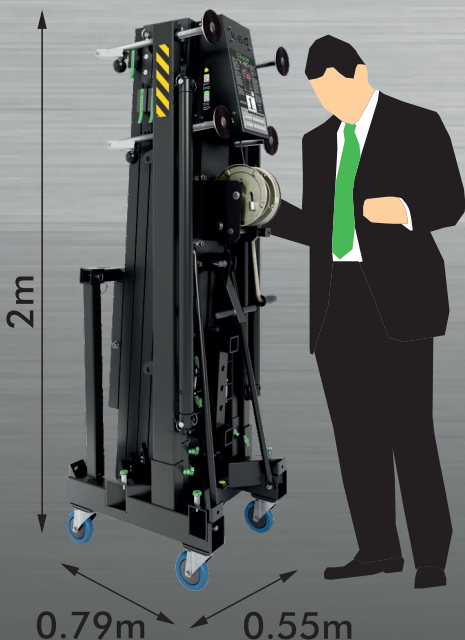
**Multifunctional:** Line Array Front Load

**Security system**  
*Sistema seguridad* SLS Lock\*

\*KAT Lock for Multifunctional towerlifts has two extra positions: BLOCK or LIFT



Finished: E-poxy  
Main material: Aluminium



Made in Spain (EU)



EN 17206-2:2023  
CE 2006/42/CE

